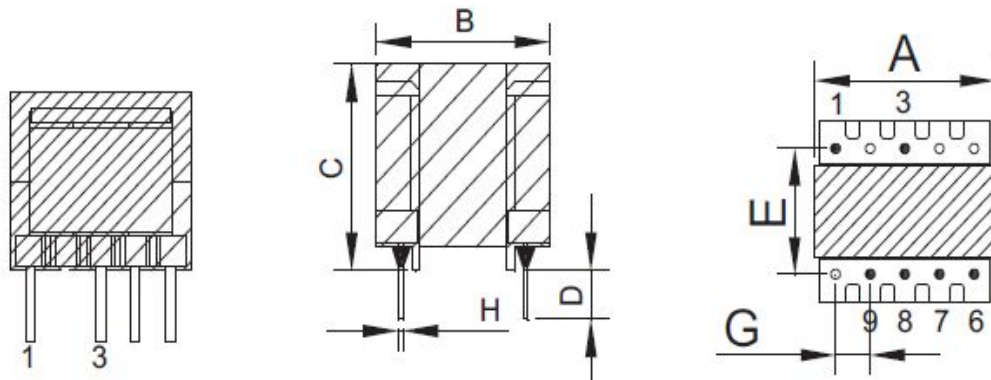


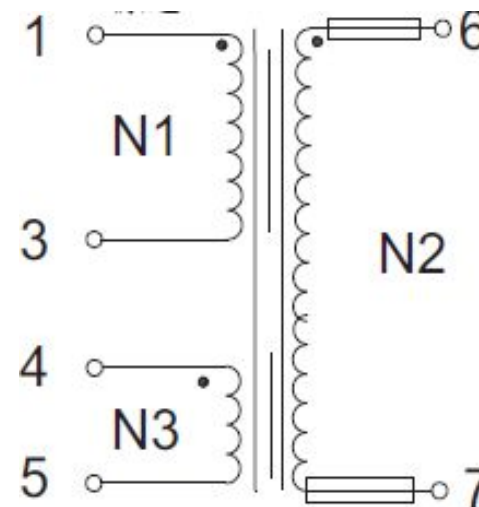
CUSTOMER TERMINAL	ROHS	Lead(Pb)-free
	YES	YES

1. Mechanical Dimensions



A	14.2	MAX
B	13.5	MAX
C	14.5	MAX
D	3.5	±0.5
E	8.8	±0.4
G	2.5	±0.3
H	0.60	±0.1

2. Schematic Diagram



3. Material List

Core:FW44 EE13
 Bobbin:FWB1303(5+5PIN)
 Wire:2UEW TIW
 Operating Temperature: -30 to115 °C

4. Electrical Specification

Inductance : $L(1-3):3.4\text{mH} \pm 5\% 60\text{KHZ}, 1.0\text{V}$
 Leakage Inductance : $240\text{uH MAX } 60\text{KHZ}, 1.0\text{V}$
 DCR : $(1-3)=8.16\Omega \text{ MAX}$
 Hi-Pot:P-S: AC 60Hz 1000V 1mA 3S
 P-CORE:AC 60Hz 500V 1mA 3S

REV.	DATE	 Convention Placement	DRW.		Drawing Title:	Part No:
0	00/00		CHK.			
ROHS			www.ferriwo.com	APP.		Customer P/N